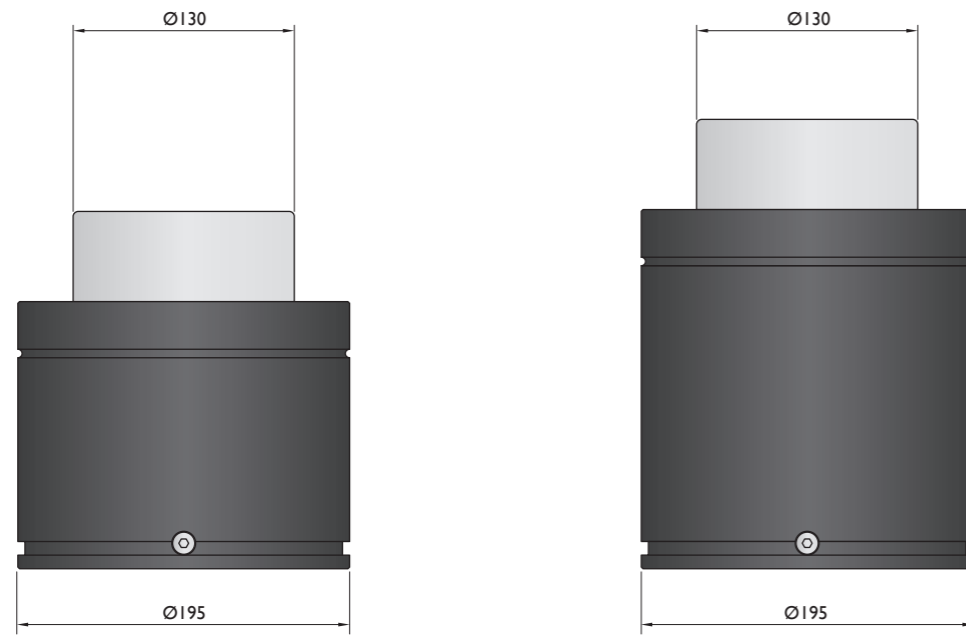
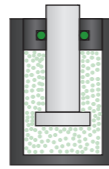


## Force 20000 daN

Piston Rod Sealed  
gas springs



Model	KP-20000	HD-20000
Initial F (daN)	20000	20000
L max (mm)	2xStroke+110	2xStroke+160
Stroke (mm)	19-125	25-300

\* other strokes under request

Standards

**PED**  
97/23/EC

**ISO**  
11901

**VDI**  
3003

**CNOMO**  
EM24.54.700

**PED**  
97/23/EC

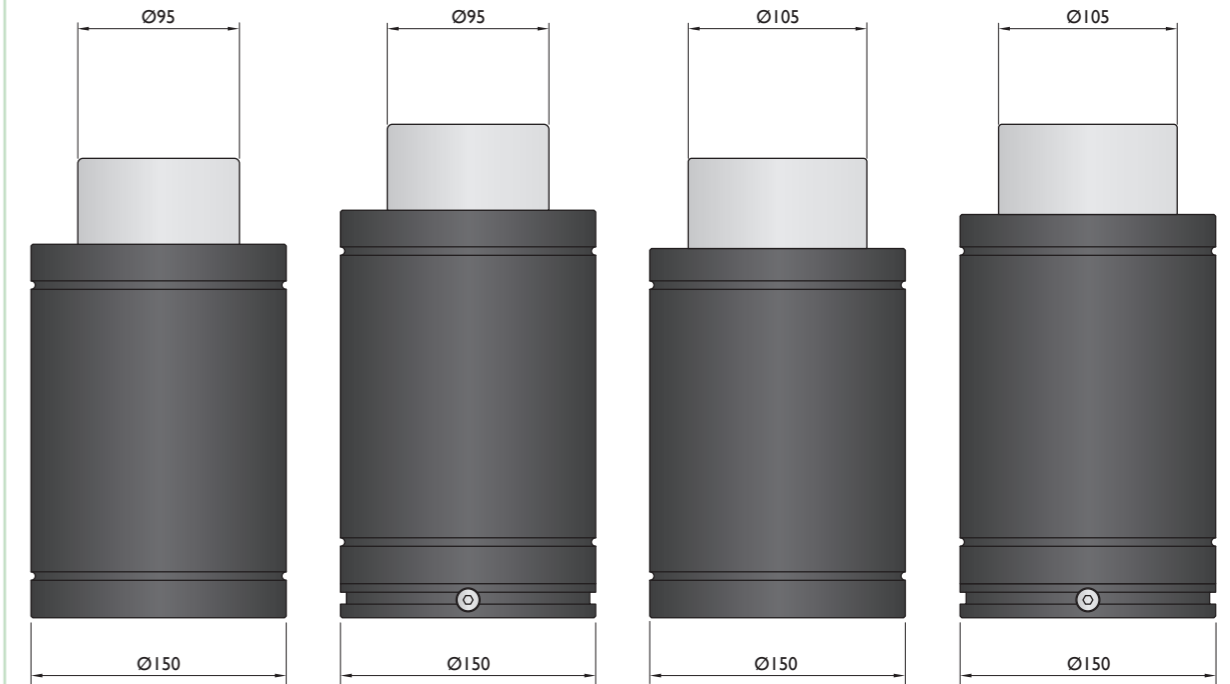
**ISO**  
11901

**VDI**  
3003

**CNOMO**  
EM24.54.700

## Force 20000 daN

Bore Sealed  
gas springs



Model	T-18300	TC-18300	TS-18300	TSC-18300
Initial F (daN)	18300	18300	18300	18300
L max (mm)	110-270	130-290	110-323	130-343
Stroke (mm)	10-50	10-50	10-65	10-65

\* other strokes under request

Standards

**PED**  
97/23/EC

**ISO**  
11901

**VDI**  
3003

**CNOMO**  
EM24.54.700

**PED**  
97/23/EC

**ISO**  
11901

**VDI**  
3003

**CNOMO**  
EM24.54.700

**PED**  
97/23/EC

**ISO**  
11901

**VDI**  
3003

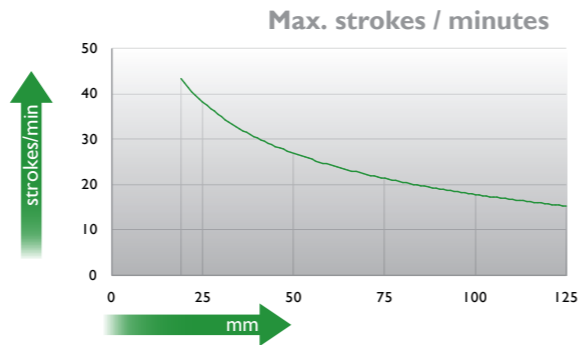
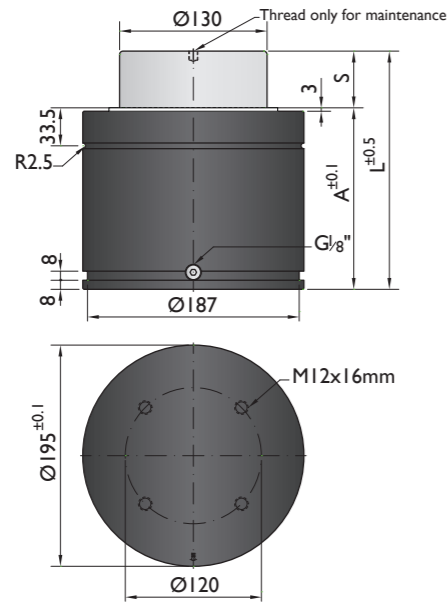
**CNOMO**  
EM24.54.700

**PED**  
97/23/EC

**ISO**  
11901

**VDI**  
3003

**CNOMO**  
EM24.54.700



Ordering example: 4 x KP-20000-125

Order No.	S <sup>(1)</sup> mm	L mm	A mm	F <sub>0</sub> <sup>(2)</sup> daN (20°C, 150 bar)	F daN	<sup>(3)</sup>	kg
KP-20000-19	19	148	129	20000	28200	No	22.63
KP-20000-25	25	160	135		29500	No	23.16
KP-20000-32	32	174	142		30700	No	23.76
KP-20000-38	38	186	148		31500	No	25.66
KP-20000-50	50	210	160		32700	No	27.31
KP-20000-63	63	236	173		39200	No	28.02
KP-20000-75	75	260	185		39200	No	29.53
KP-20000-80	80	270	190		39200	No	31.45
KP-20000-100	100	310	210		39200	No	32.70
KP-20000-125	125	360	235		39200	No	35.30

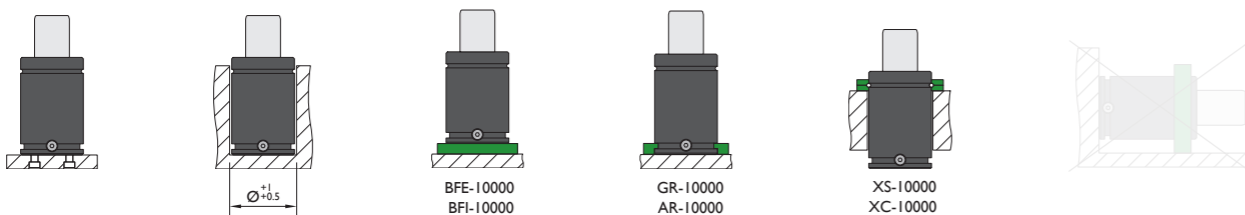
<sup>(1)</sup> other strokes under request

<sup>(2)</sup> alternative forces upon request



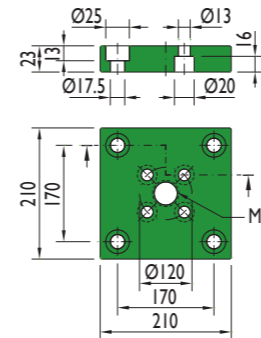
Pressure medium	N <sub>2</sub>	Working temperature	0-80°C	Min. security stroke	10%
Max. Charging pressure	150 bar	Temperature related force increase	+0.34%/°C	Repair Kit	KIT KP-20000
Min. Charging pressure	25 bar	Max. working speed	1.6 m/s	Linkable	G1/8"

### Mounting possibilities

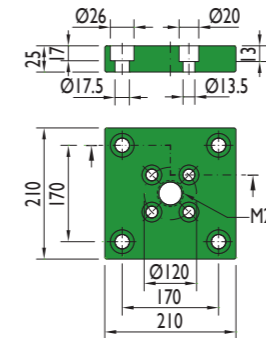


## Flanges

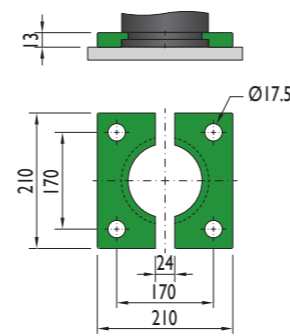
### BFE-10000



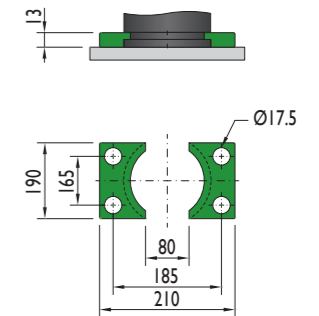
### BFI-10000



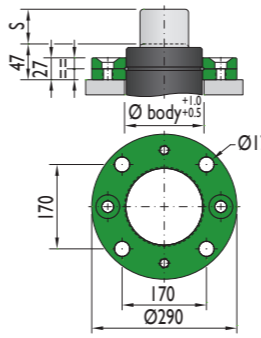
### GR-10000



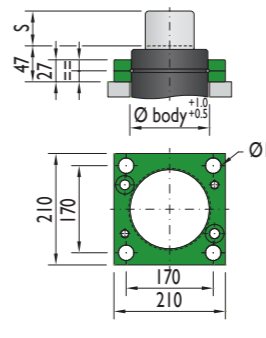
### AR-10000

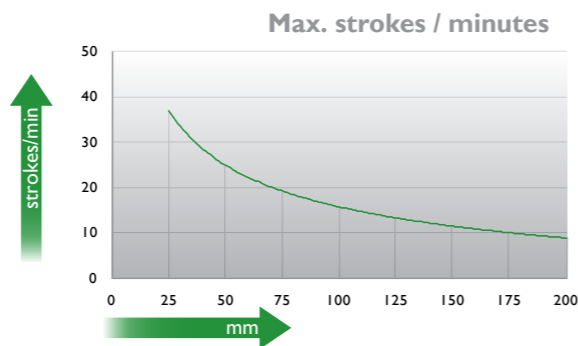
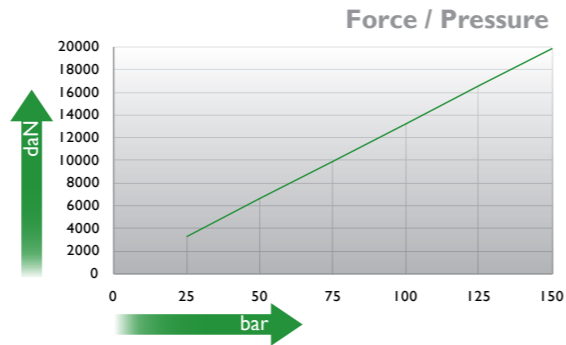
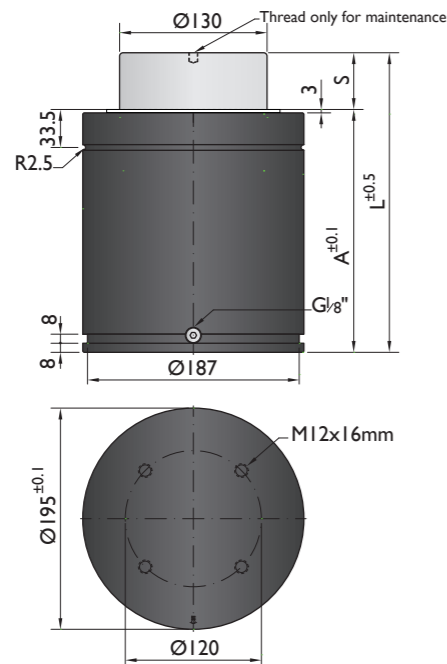


### XS-10000



### XC-10000





Ordering example: 4 x HD-20000-125

Order No.	S <sup>(1)</sup> mm	L mm	A mm	F <sub>0</sub> <sup>(2)</sup> daN (20°C, 150 bar)	F daN	(3)	kg
HD-20000-25	25	210	185	20000	26000	No	23.66
HD-20000-38	38	236	198		27600	No	26.16
HD-20000-50	50	260	210		29000	No	27.81
HD-20000-63	63	286	223		29700	No	28.52
HD-20000-80	80	320	240		30700	No	31.95
HD-20000-100	100	360	260		31500	No	33.20
HD-20000-125	125	410	285		32200	No	35.80
HD-20000-160	160	480	320		33000	No	38.40
HD-20000-200	200	560	360		33500	No	41.00
HD-20000-250	250	660	410		34200	No	57.45
HD-20000-300	300	760	460	35000	No	62.7	

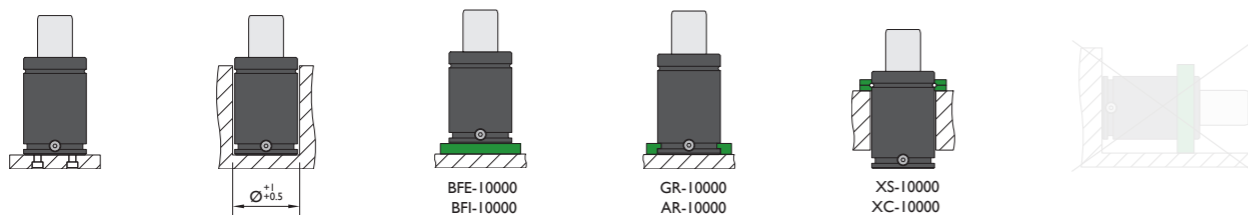
(1) other strokes under request

(2) alternative forces upon request



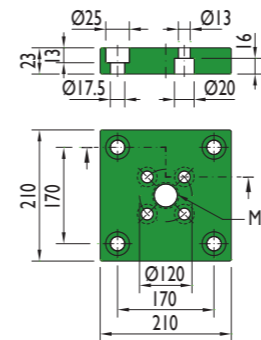
Pressure medium	N <sub>2</sub>	Working temperature	0-80°C	Min. security stroke	10%
Max. Charging pressure	150 bar	Temperature related force increase	+0.34%/°C	Repair Kit	KIT HD-20000
Min. Charging pressure	25 bar	Max. working speed	1.6 m/s	Linkable	G1/8"

### Mounting possibilities

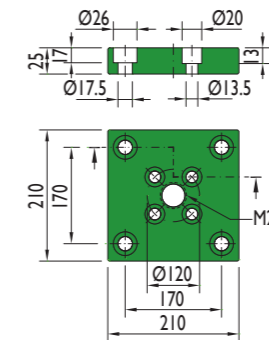


## Flanges

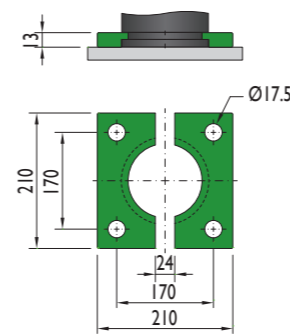
### BFE-10000



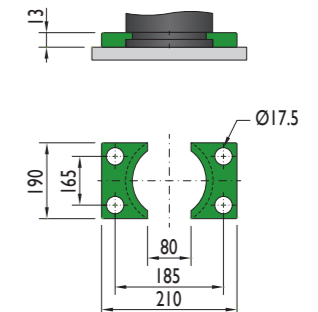
### BFI-10000



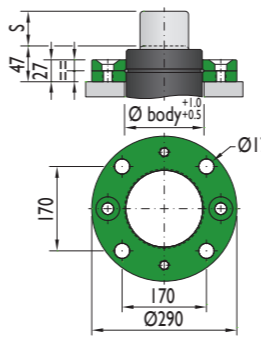
### GR-10000



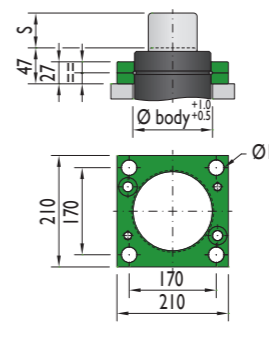
### AR-10000

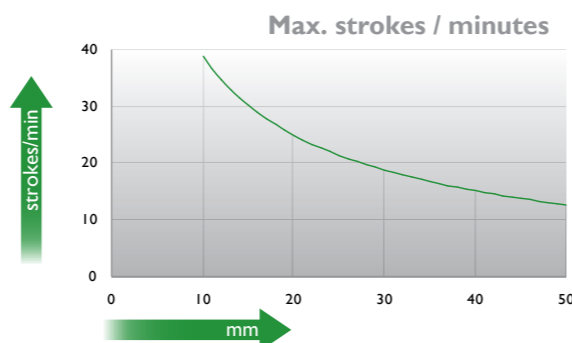
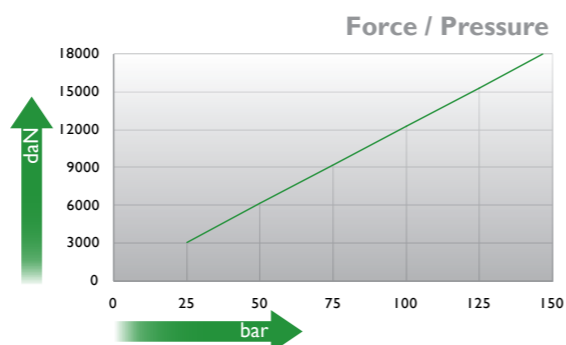
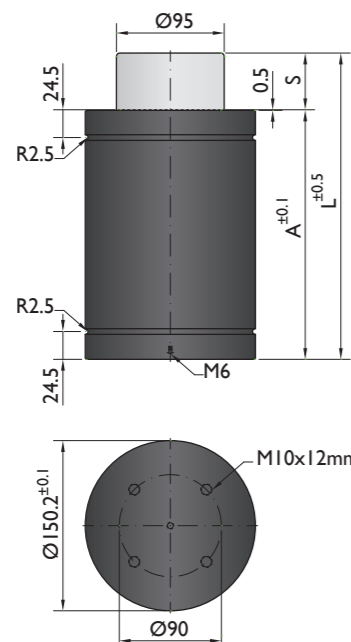


### XS-10000




### XC-10000





Ordering example: 4 x T-18300-50

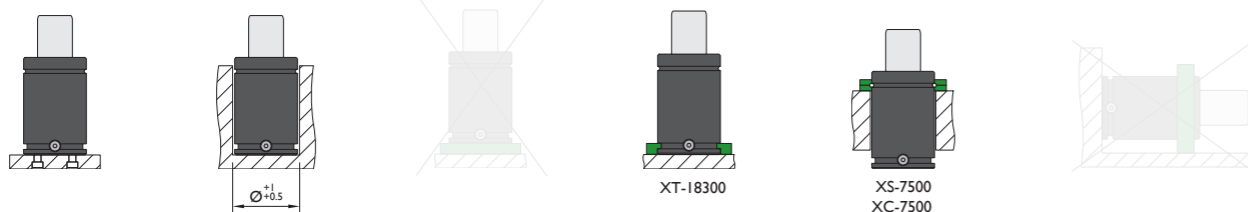
Order No.	S <sup>(1)</sup> mm	L mm	A mm	F <sub>0</sub> <sup>(2)</sup> daN (20°C, 150 bar)	F daN	 <sup>(3)</sup>	kg
T-18300-10	10	110	100	18300	23200	No	8.66
T-18300-16	16	136	120		23800	No	9.13
T-18300-25	25	165	140		25200	No	10.69
T-18300-32	32	197	165		25100	No	12.41
T-18300-40	40	235	195		24900	No	14.46
T-18300-50	50	270	220		25400	No	16.34

(1) other strokes under request      (2) alternative forces upon request      (3) ESK under request

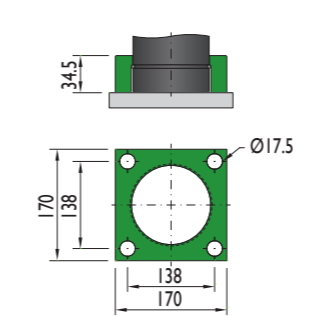
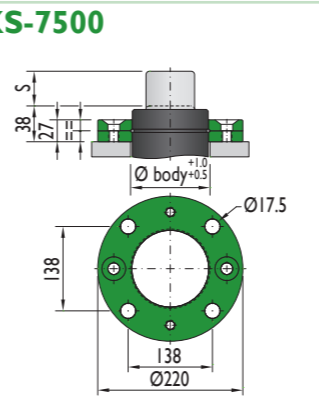
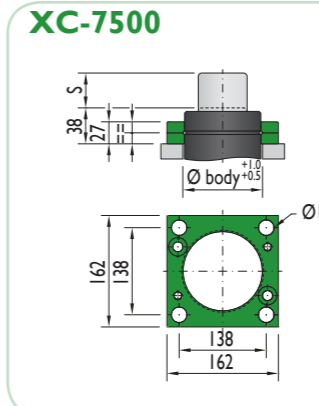


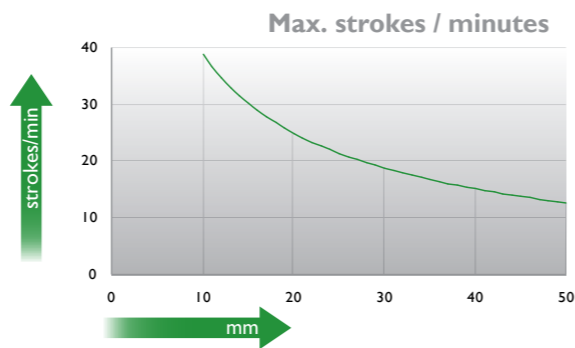
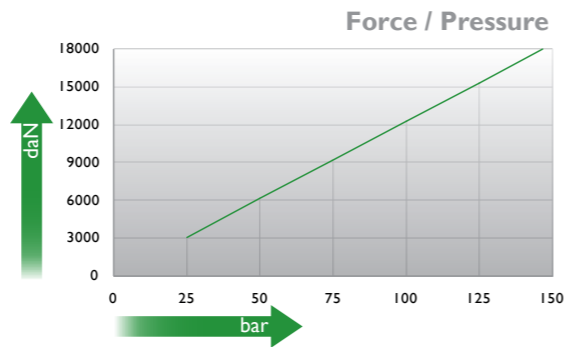
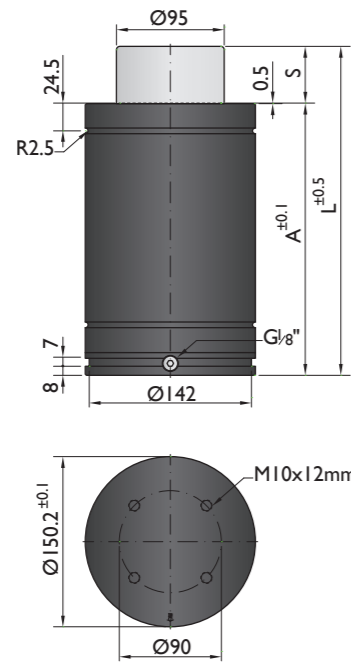
Pressure medium	N <sub>2</sub>	Working temperature	0-80°C	Min. security stroke	10%
Max. Charging pressure	150 bar	Temperature related force increase	+0.34%/°C	Repair Kit	KIT T-18300
Min. Charging pressure	25 bar	Max. working speed	0.5 m/s	Linkable	No

### Mounting possibilities



## Flanges

<b>XT-18300</b> 		
<b>XS-7500</b> 	<b>XC-7500</b> 	



Ordering example: 4 x TC-18300-50

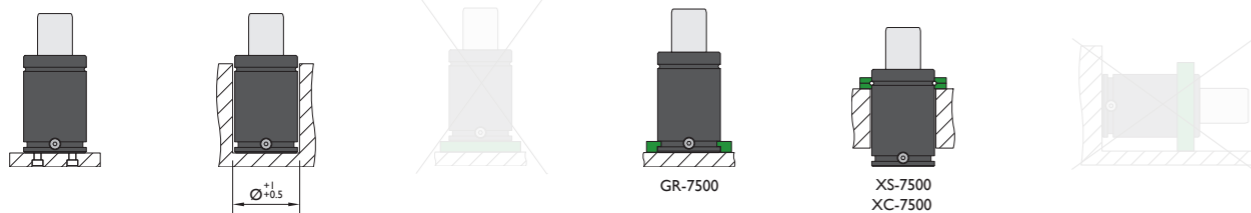
Order No.	S <sup>(1)</sup> mm	L mm	A mm	F <sub>0</sub> <sup>(2)</sup> daN (20°C, 150 bar)	F daN	<sup>(3)</sup>	kg
TC-18300-10	10	130	120	18300	23200	No	11.36
TC-18300-16	16	156	140		23800	No	11.83
TC-18300-25	25	185	160		25200	No	13.39
TC-18300-32	32	217	185		25100	No	15.11
TC-18300-40	40	255	215		24900	No	17.16
TC-18300-50	50	290	240		25400	No	19.04

<sup>(1)</sup> other strokes under request     
 <sup>(2)</sup> alternative forces upon request     
 <sup>(3)</sup> ESK under request



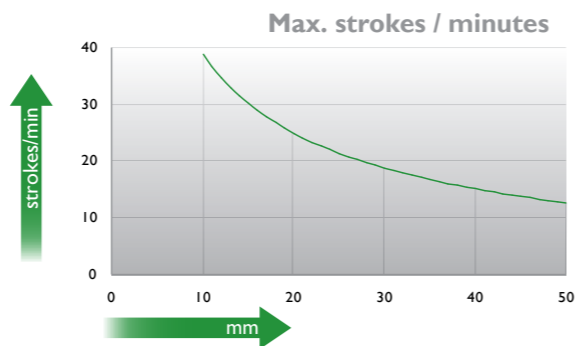
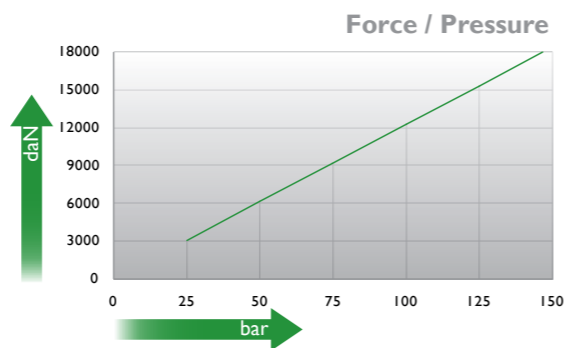
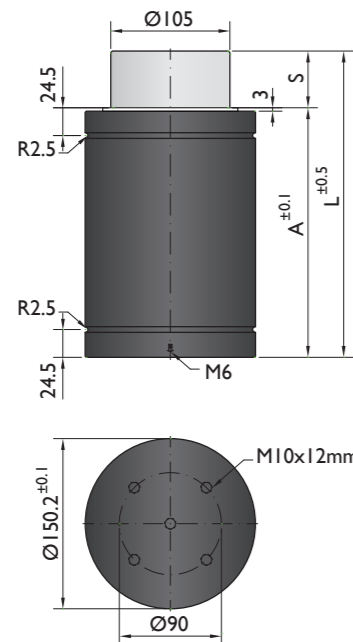
Pressure medium	N <sub>2</sub>	Working temperature	0-80°C	Min. security stroke	10%
Max. Charging pressure	150 bar	Temperature related force increase	+0.34%/°C	Repair Kit	KIT TC-18300
Min. Charging pressure	25 bar	Max. working speed	0.5m/s	Linkable	G1/8"

### Mounting possibilities




## Flanges

<b>GR-7500</b> 		
<b>XS-7500</b> 	<b>XC-7500</b> 	



Ordering example: 4 x TS-18300-50

Order No.	S <sup>(1)</sup> mm	L mm	A mm	F <sub>0</sub> <sup>(2)</sup> daN	F daN		kg
TS-18300-10	10	110	100	18300 (20°C, 150 bar)	23200	No	8.66
TS-18300-16	16	136	120		23800	No	9.13
TS-18300-25	25	165	140		25200	No	10.69
TS-18300-32	32	197	165		25100	No	12.41
TS-18300-40	40	235	195		24900	No	14.46
TS-18300-50	50	270	220		25400	No	16.34
TS-18300-65	65	323	258		25900	No	18.22

<sup>(1)</sup> other strokes under request

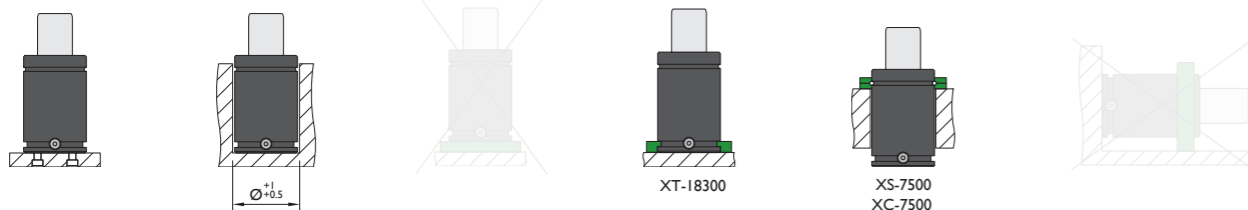
<sup>(2)</sup> alternative forces upon request

<sup>(3)</sup> ESK under request



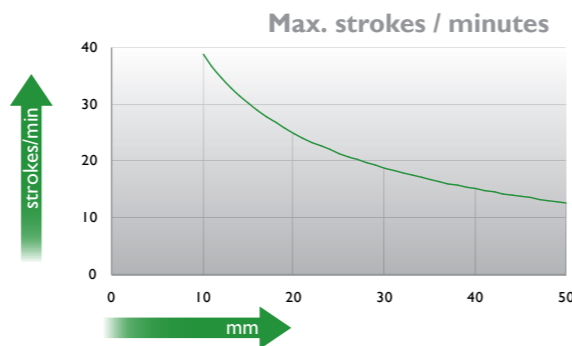
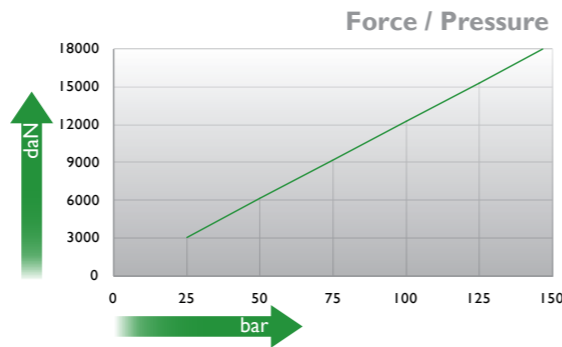
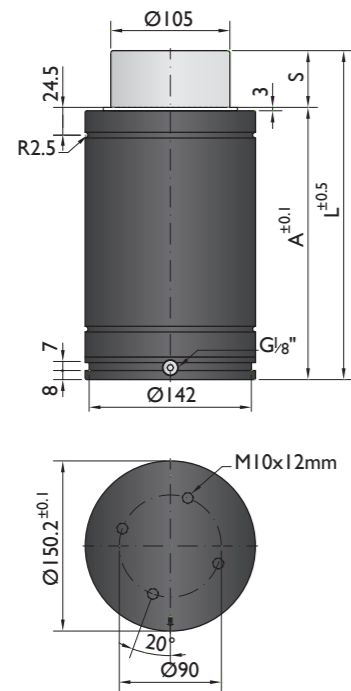
Pressure medium	N <sub>2</sub>	Working temperature	0-80°C	Min. security stroke	10%
Max. Charging pressure	150 bar	Temperature related force increase	+0.34%/°C	Repair Kit	KIT TS-18300
Min. Charging pressure	25 bar	Max. working speed	0.5 m/s	Linkable	No

### Mounting possibilities




## Flanges

<b>XT-18300</b> 		
<b>XS-7500</b> 	<b>XC-7500</b> 	



Ordering example: 4 x TSC-I 8300-50

Order No.	S <sup>(1)</sup> mm	L mm	A mm	F <sub>0</sub> <sup>(2)</sup> daN	F daN		kg
TSC-I 8300-10	10	130	120		23200	No	11.36
TSC-I 8300-16	16	156	140		23800	No	11.83
TSC-I 8300-25	25	185	160		25200	No	13.39
TSC-I 8300-32	32	217	185	18300	25100	No	15.11
TSC-I 8300-40	40	255	215		24900	No	17.16
TSC-I 8300-50	50	290	240		25400	No	19.04
TSC-I 8300-65	65	343	278		25900	No	20.92

<sup>(1)</sup> other strokes under request

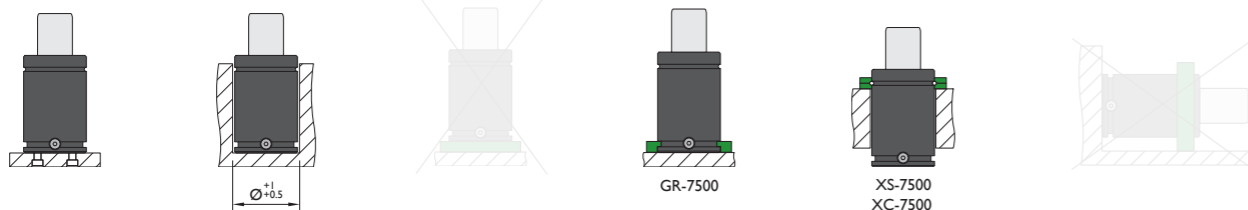
<sup>(2)</sup> alternative forces upon request

<sup>(3)</sup> ESK under request

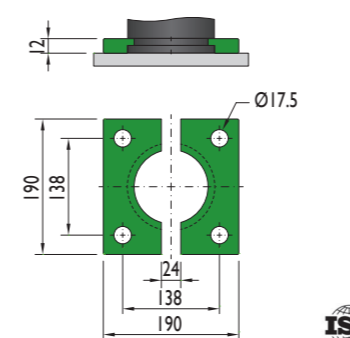
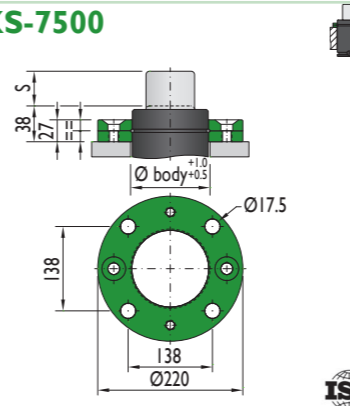


Pressure medium	N <sub>2</sub>	Working temperature	0-80°C	Min. security stroke	10%
Max. Charging pressure	150 bar	Temperature related force increase	+0.34%/°C	Repair Kit	KIT TSC-I 8300
Min. Charging pressure	25 bar	Max. working speed	0.5 m/s	Linkable	G1/8"

### Mounting possibilities



## Flanges

<b>GR-7500</b> 		
<b>XS-7500</b> 	<b>XC-7500</b> 