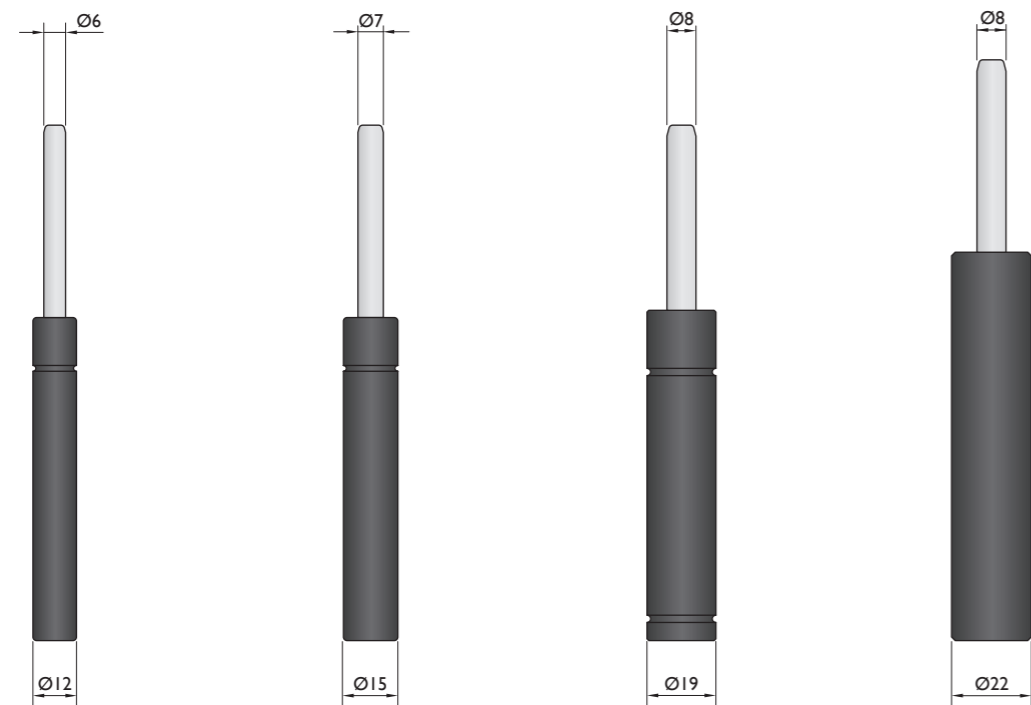
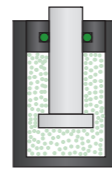


## Force ≤ 100 daN

### Piston Rod Sealed gas springs

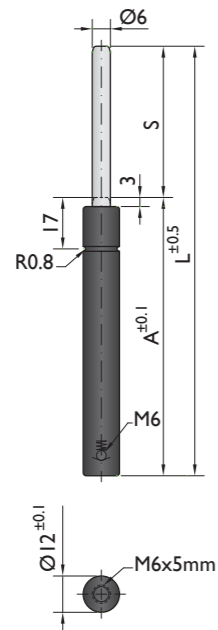


Model	Z-50	Z-70	R-100	G-100
Initial F (daN)	13-50	18-70	30-90	30-90
L max (mm)	2xStroke+42	2xStroke+42	2xStroke+42	2xStroke+60
Stroke (mm)	7-125	7-125	7-125	12-125

\* other strokes under request

### Standards

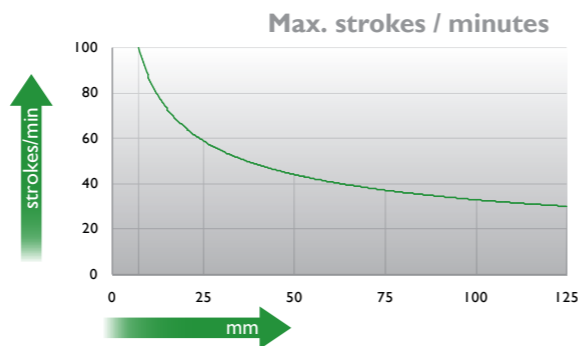
PED 97/23/EC	PED 97/23/EC	PED 97/23/EC	PED 97/23/EC
ISO 11901	ISO 11901	ISO 11901	ISO 11901
VDI 3003	VDI 3003	VDI 3003	VDI 3003
CNOMO EM24.54.700	CNOMO EM24.54.700	CNOMO EM24.54.700	CNOMO EM24.54.700



Force / Pressure

		daN	bar (20°C)
V	GREEN	13	45
Z	BLUE	25	90
R	RED	38	135
A	YELLOW	50	180

\* maximum force if not specified



Ordering example: 4 x Z-50-125 V

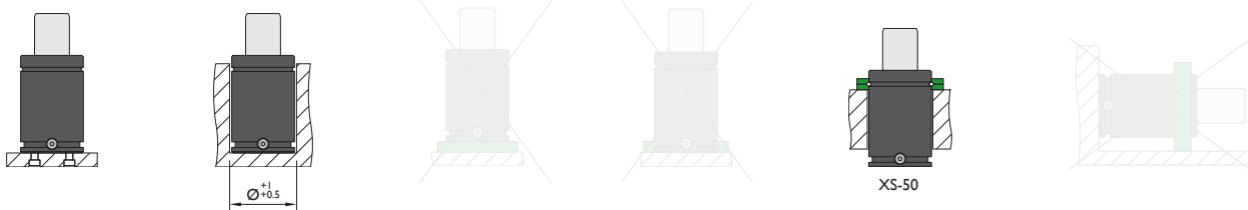
Order No.	S <sup>(1)</sup> mm	L mm	A mm	F <sub>0</sub> <sup>(2)</sup> daN (20°C, 180 bar)	F daN		kg
Z-50-7	7	56	49		60	No	0.03
Z-50-10	10	62	52		60	No	0.03
Z-50-13	12.7	67.4	54.7		60	No	0.03
Z-50-15	15	72	57		70	No	0.03
Z-50-19	19	80	61		70	No	0.04
Z-50-25	25	92	67		70	No	0.04
Z-50-38	38	118	80	50	70	No	0.04
Z-50-50	50	142	92		70	No	0.05
Z-50-63	63.5	172	108.5		80	No	0.06
Z-50-75	75	195	120		80	No	0.06
Z-50-80	80	205	125		80	No	0.07
Z-50-100	100	245	145		80	No	0.07
Z-50-125	125	295	170		80	No	0.09

<sup>(1)</sup> other strokes under request

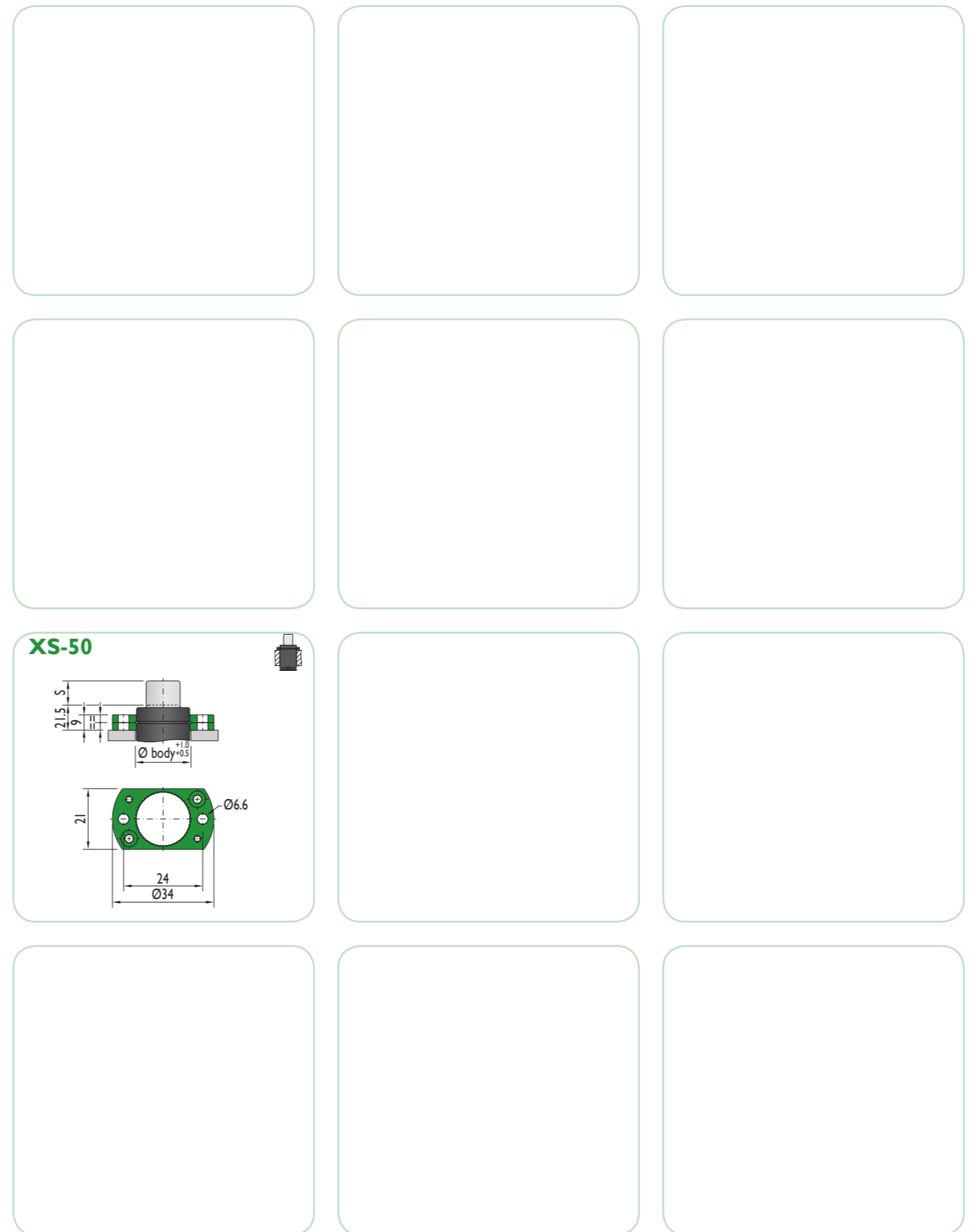
<sup>(2)</sup> alternative forces upon request

	Pressure medium	N <sub>2</sub>	Working temperature	0-80°C	Min. security stroke	10%
	Max. Charging pressure	180 bar	Temperature related force increase	+0.34%/°C	Repair Kit	Non-repairable
	Min. Charging pressure	25 bar	Max. working speed	1.6 m/s	Linkable	No

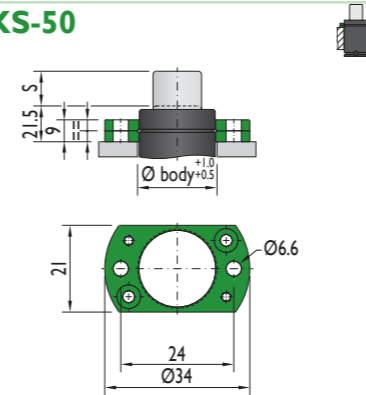
### Mounting possibilities

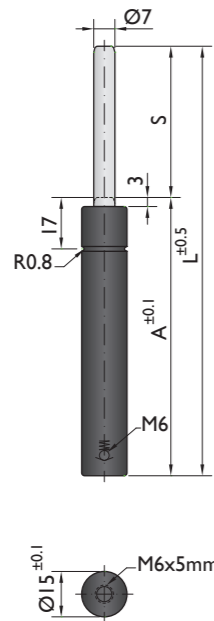


## Flanges



### XS-50

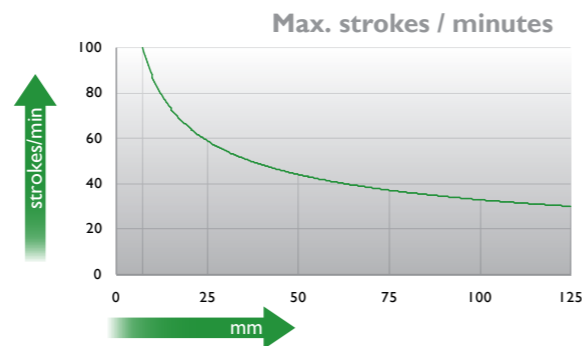




Force / Pressure

		daN	bar (20°C)
V	GREEN	18	45
Z	BLUE	35	90
R	RED	50	135
A	YELLOW	70	180

\* maximum force if not specified



Ordering example: 4 x Z-70-125 R

Order No.	S <sup>(1)</sup> mm	L mm	A mm	F <sub>0</sub> <sup>(2)</sup> daN (20°C, 180 bar)	F daN		kg
Z-70-7	7	56	49		90	No	0.05
Z-70-10	10	62	52		90	No	0.05
Z-70-13	12.7	67.4	54.7		90	No	0.05
Z-70-15	15	72	57		90	No	0.05
Z-70-19	19	80	61		90	No	0.05
Z-70-25	25	92	67		100	No	0.06
Z-70-38	38.1	118.2	80.1	70	100	No	0.07
Z-70-50	50	142	92		100	No	0.08
Z-70-63	63.5	172	108.5		110	No	0.09
Z-70-75	75	195	120		110	No	0.10
Z-70-80	80	205	125		110	No	0.11
Z-70-100	100	245	145		110	No	0.12
Z-70-125	125	295	170		110	No	0.14

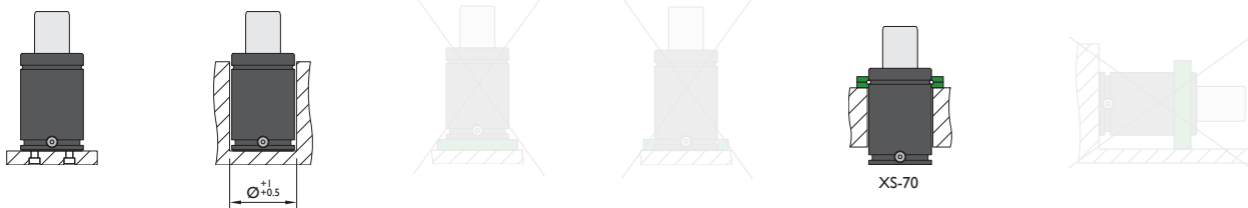
<sup>(1)</sup> other strokes under request

<sup>(2)</sup> alternative forces upon request

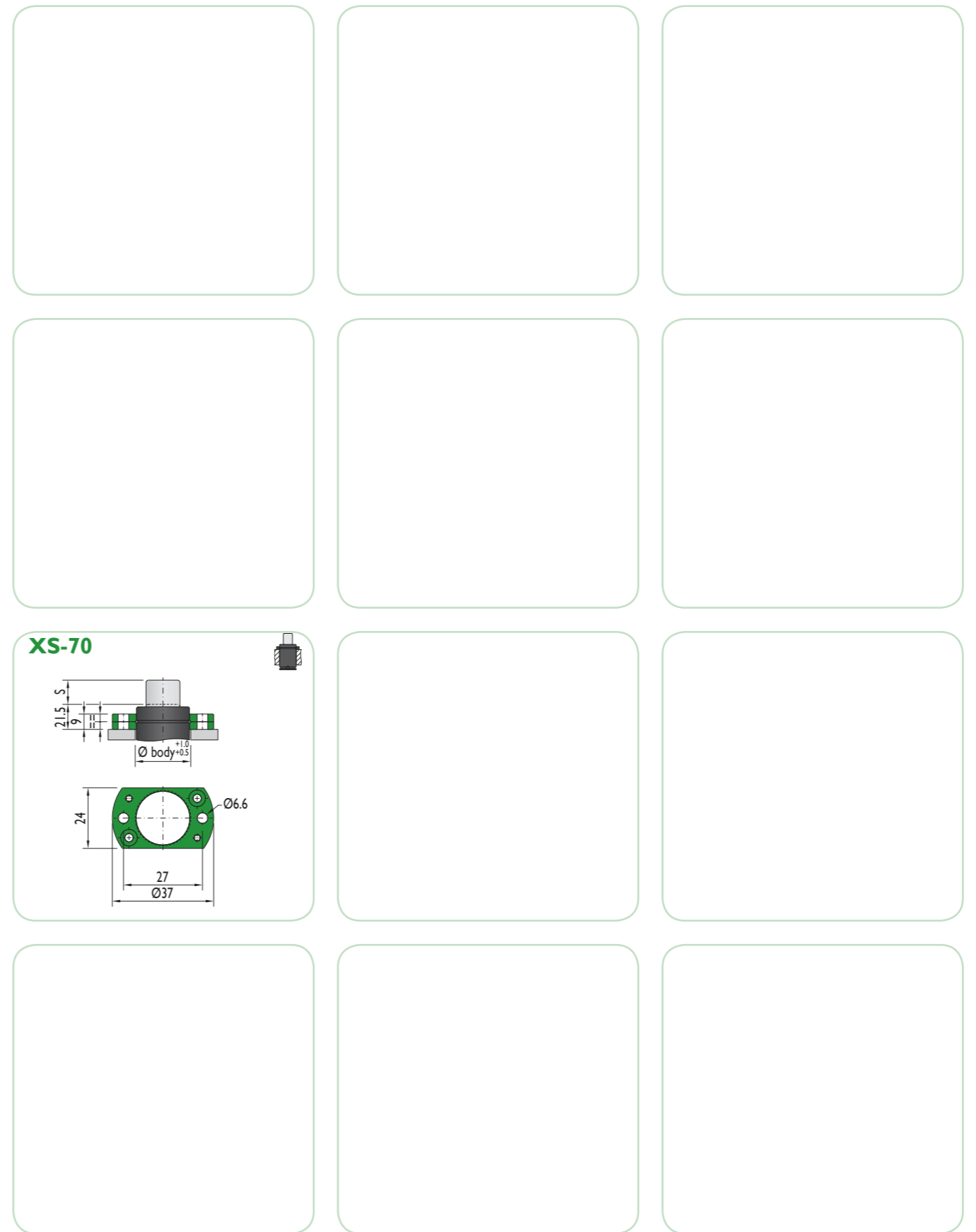


Pressure medium	N <sub>2</sub>	Working temperature	0-80°C	Min. security stroke	10%
Max. Charging pressure	180 bar	Temperature related force increase	+0.34%/°C	Repair Kit	Non-repairable
Min. Charging pressure	25 bar	Max. working speed	1.6 m/s	Linkable	No

### Mounting possibilities



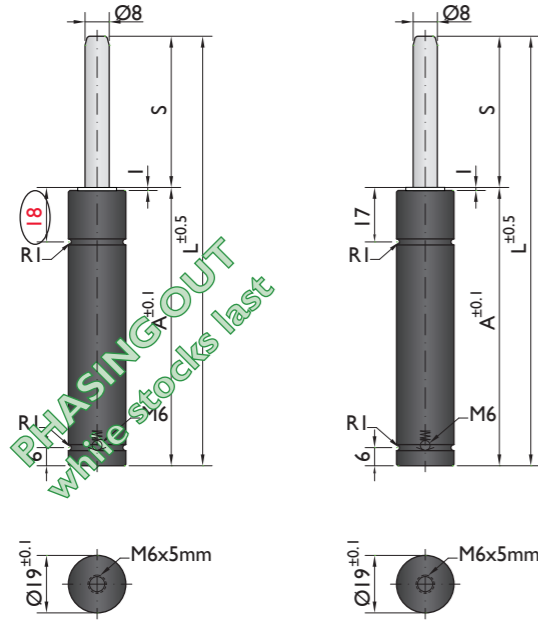
## Flanges





\*The new cylinder will be supplied when the stock runs out.

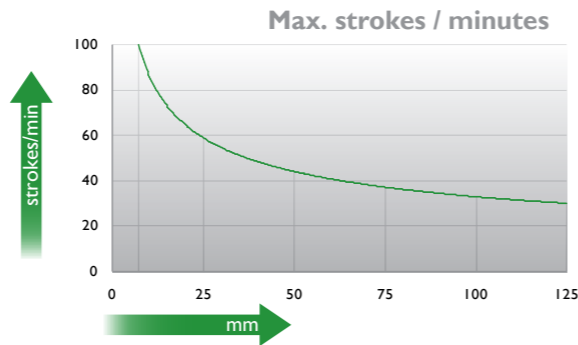
**NEW MODEL\***



Force / Pressure

	daN	bar (20°C)
V GREEN	30	60
Z BLUE	50	100
R RED	70	140
A YELLOW	90	180

\* maximum force if not specified



Ordering example: 4 x R-100-100 V

Order No.	S <sup>(1)</sup> mm	L mm	A mm	F <sub>0</sub> <sup>(2)</sup> daN (20°C, 180 bar)	F daN	kg
R-100-7	7	56	49	90	130	0.07
R-100-10	10	62	52		120	0.08
R-100-15	15	72	57		120	0.08
R-100-25	25	92	67		120	0.08
R-100-38	38.1	118.2	80.1		120	0.10
R-100-50	50	142	92		120	0.12
R-100-63	63.5	172	108.5		120	0.13
R-100-80	80	205	125		120	0.14
R-100-100	100	245	145		120	0.17
R-100-125	125	295	170		120	0.20

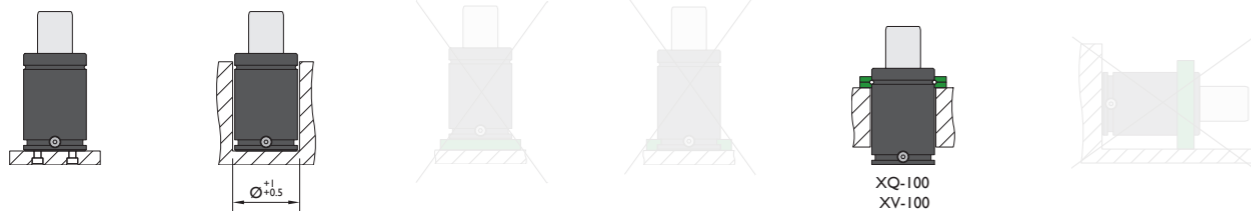
<sup>(1)</sup> other strokes under request

<sup>(2)</sup> alternative forces upon request

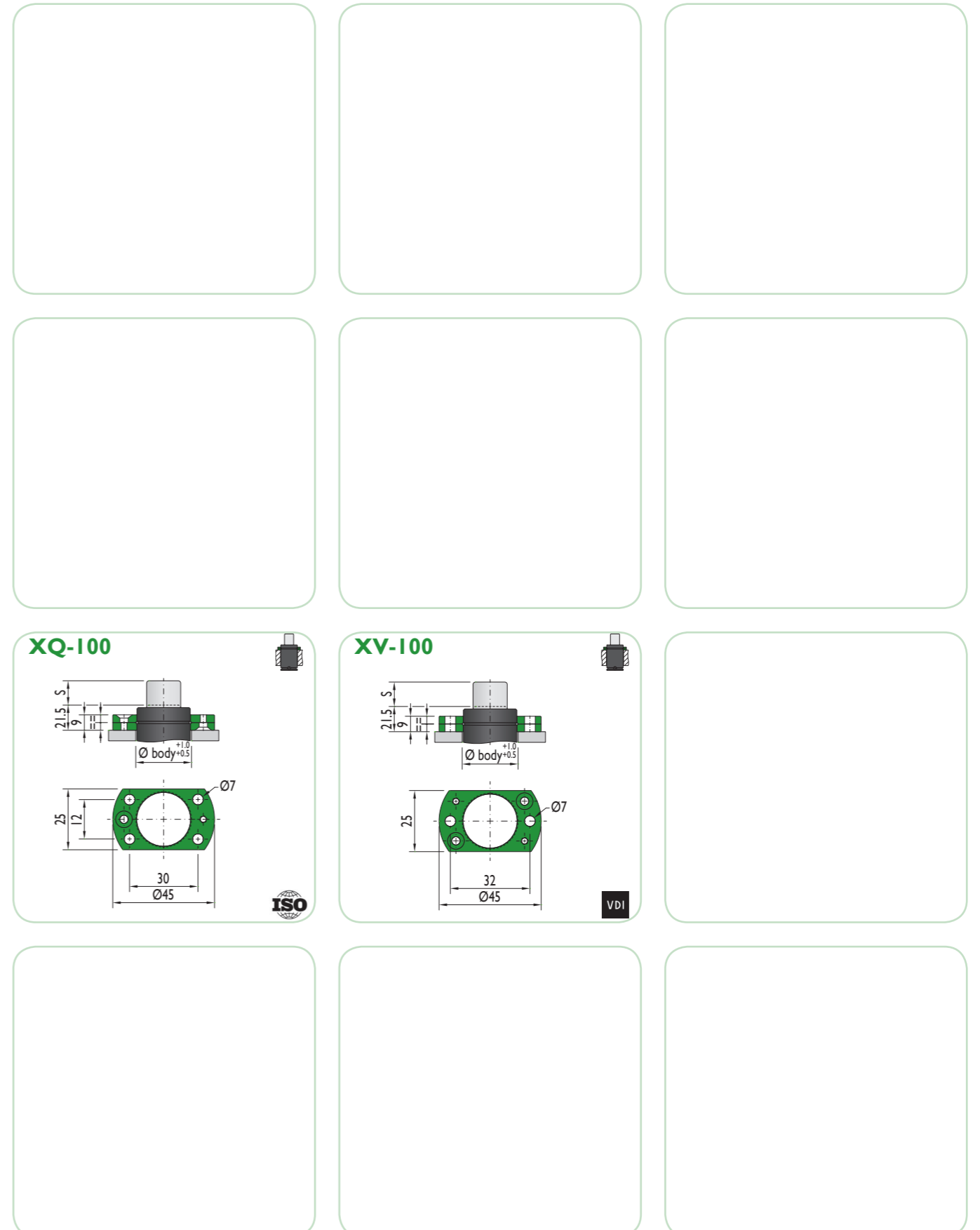


Pressure medium	N <sub>2</sub>	Working temperature	0-80°C	Min. security stroke	10%
Max. Charging pressure	180 bar	Temperature related force increase	+0.34%/°C	Repair Kit	Non-repairable
Min. Charging pressure	25 bar	Max. working speed	1.6 m/s	Linkable	No

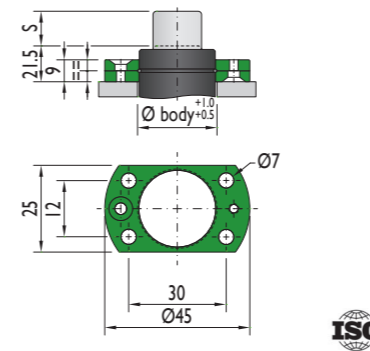
Mounting possibilities



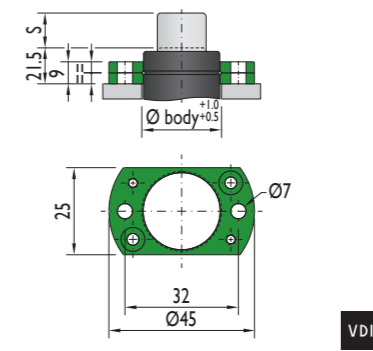
## Flanges



XQ-100

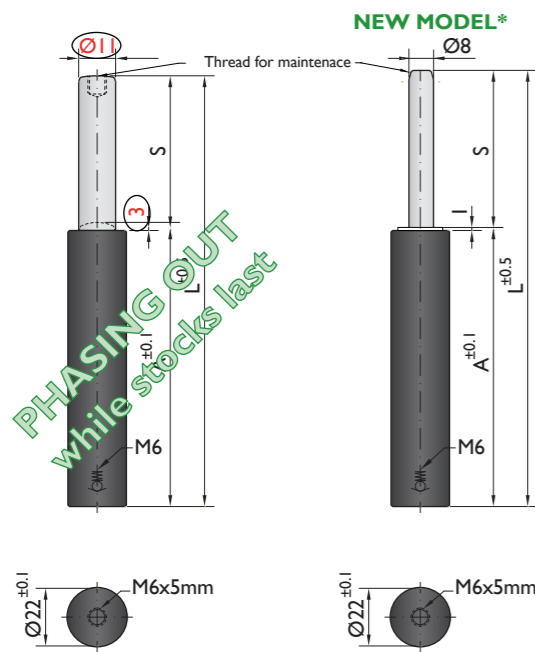


XV-100



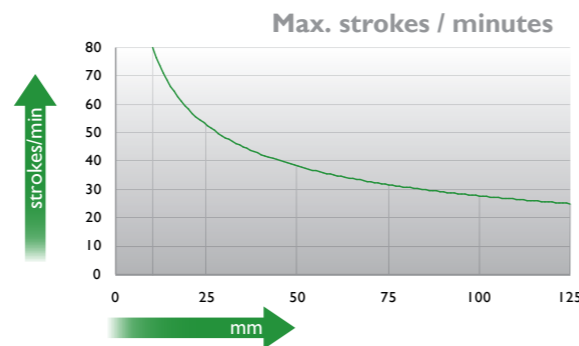


\*The new cylinder will be supplied when the stock runs out.



### Force / Pressure

	daN	bar (20°C)
V GREEN	30	60
Z BLUE	50	100
R RED	70	140
A YELLOW	90	180



Ordering example: 4 x G-100-125

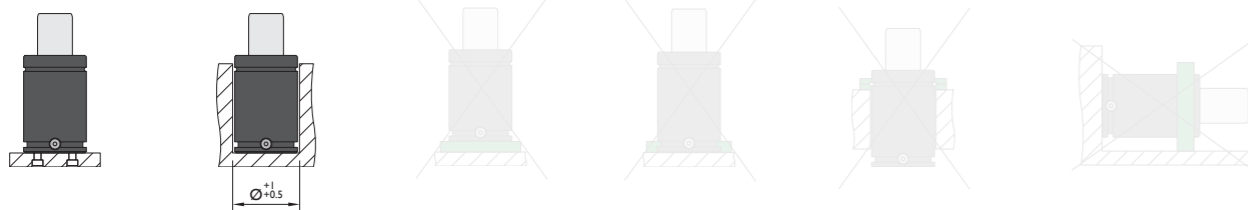
Order No.	S <sup>(1)</sup> mm	L mm	A mm	F <sub>0</sub> <sup>(2)</sup> daN (20°C, 180 bar)	F daN	kg
G-100-12	12	84	72	90	120	0.14
G-100-25	25	110	85		140	0.16
G-100-38	38	136	98		150	0.18
G-100-50	50	160	110		160	0.20
G-100-63	63	186	123		170	0.25
G-100-80	80	220	140		170	0.30
G-100-100	100	260	160		180	0.35
G-100-125	125	310	185		220	0.40

(1) other strokes under request      (2) alternative forces upon request



Pressure medium	N <sub>2</sub>	Working temperature	0-80°C	Min. security stroke	10%
Max. Charging pressure	180 bar	Temperature related force increase	+0.34%/°C	Repair Kit	KIT G-100
Min. Charging pressure	25 bar	Max. working speed	1.6 m/s	Linkable	No

### Mounting possibilities



## Flanges

