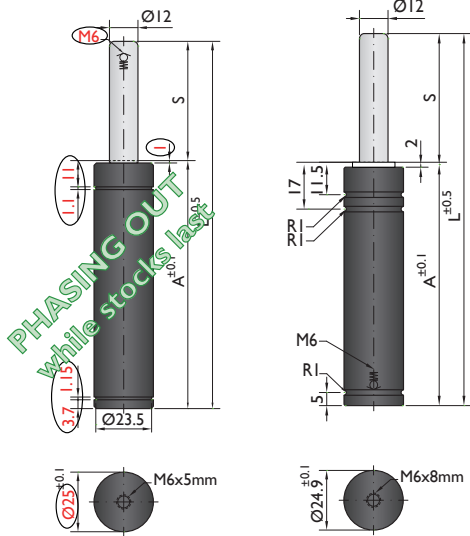




*The new cylinder will be supplied when the stock runs out.

NEW MODEL*

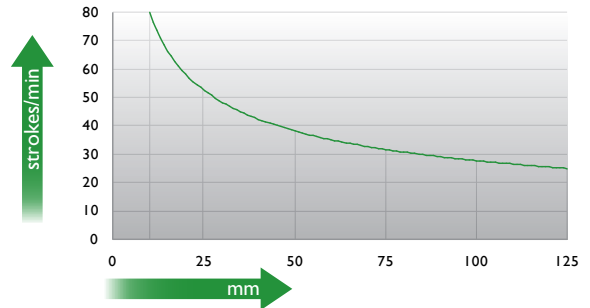


Force / Pressure

		daN	bar (20°C)
V	GREEN	50	45
Z	BLUE	100	90
R	RED	150	135
A	YELLOW	200	180

* maximum force if not specified

Max. strokes / minutes



Ordering example: 4 x G-200-80 Z

Order No.	S ⁽¹⁾ mm	L mm	A mm	F ₀ ⁽²⁾ daN	F daN	kg
G-200-12	12	78	66	200 (20°C, 180 bar)	230	0.16
G-200-25	25	104	79		250	0.19
G-200-38	38	130	92		260	0.22
G-200-50	50	154	104		270	0.25
G-200-63	63	180	117		290	0.29
G-200-80	80	214	134		290	0.33
G-200-100 ^(*)	100	254	145		310	0.36
G-200-125 ^(*)	125	304	170		310	0.42

other strokes ⁽¹⁾ under request

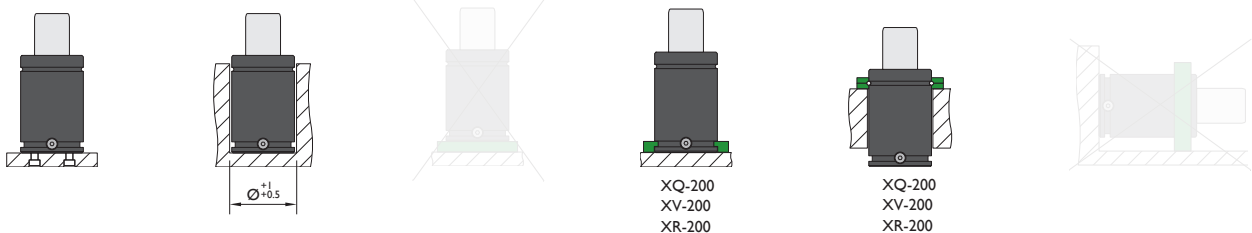
alternative forces ⁽²⁾ upon request

* New version length



Pressure medium	N ₂	Working temperature	0-80°C	Min. security stroke	10%
Max. Charging pressure	180 bar	Temperature related force increase	+0.34%/°C	Repair Kit	KIT G-200
Min. Charging pressure	25 bar	Max. working speed	1.6 m/s	Linkable	No

Mounting possibilities



Flanges



XQ-200

ISO

XV-200

VDI

XR-200

XQ-200

XV-200

VDI

XR-200

