


Ordering example: 4 x NR-6600-125

Order No.	S ⁽¹⁾ mm	L mm	A mm	F ₀ ⁽²⁾ daN (20°C, 150 bar)	F daN		kg
NR-6600-16	16	104	88	6600	8900	No	5.67
NR-6600-19	19	110	91		9100	No	5.81
NR-6600-25	25	122	97		9300	No	6.08
NR-6600-32	32	136	104		9600	No	6.41
NR-6600-38	38	148	110		9800	No	6.68
NR-6600-50	50	172	122		10000	No	7.21
NR-6600-63	63	198	135		10200	Yes	7.85
NR-6600-75	75	222	147		10300	Yes	7.31
NR-6600-80	80	232	152		10400	Yes	8.63
NR-6600-100	100	272	172		10500	Yes	9.56
NR-6600-125	125	322	197	10600	Yes	10.72	

⁽¹⁾ other strokes under request

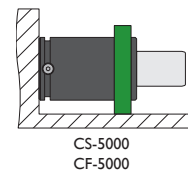
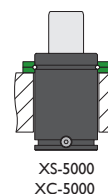
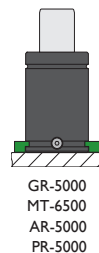
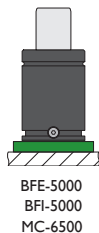
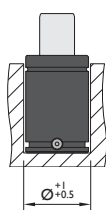
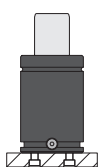
⁽²⁾ alternative forces upon request

⁽³⁾ ESK available for other strokes



Pressure medium	N ₂	Working temperature	0-80°C	Min. security stroke	10%
Max. Charging pressure	150 bar	Temperature related force increase	+0.34%/°C	Repair Kit	KIT NR-6600
Min. Charging pressure	25 bar	Max. working speed	1.6 m/s	Linkable	G1/8"

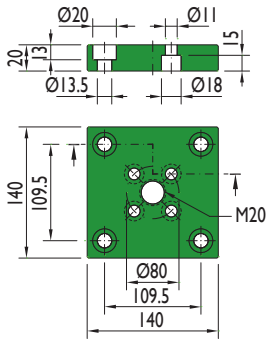
Mounting possibilities



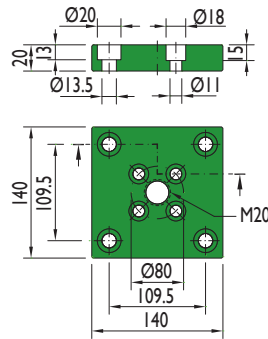
Flange must not support spring's force

Flanges

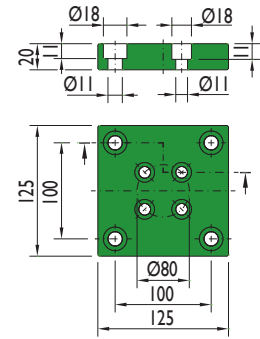
BFE-5000



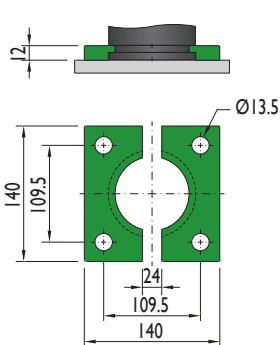
BFI-5000



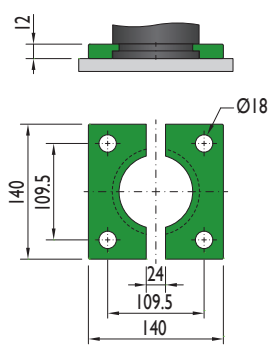
MC-6500



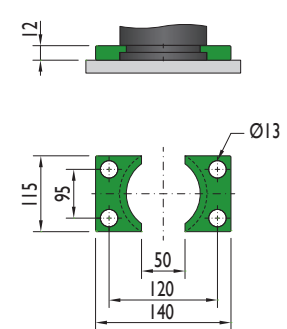
GR-5000



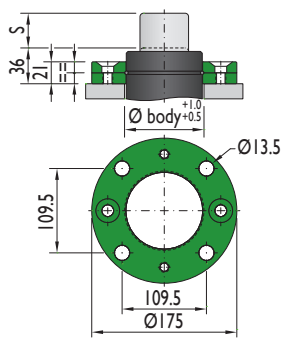
MT-6500



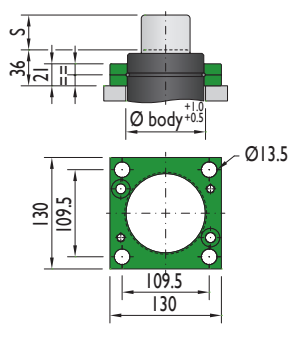
AR-5000



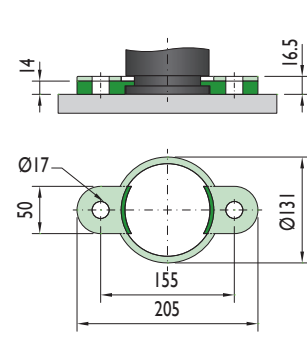
XS-5000



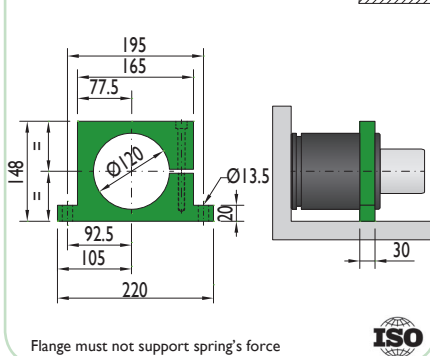
XC-5000



PR-5000

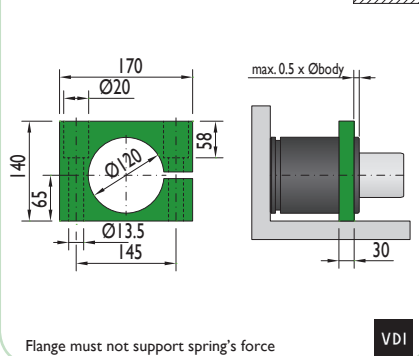


CS-5000



Flange must not support spring's force

CF-5000



Flange must not support spring's force