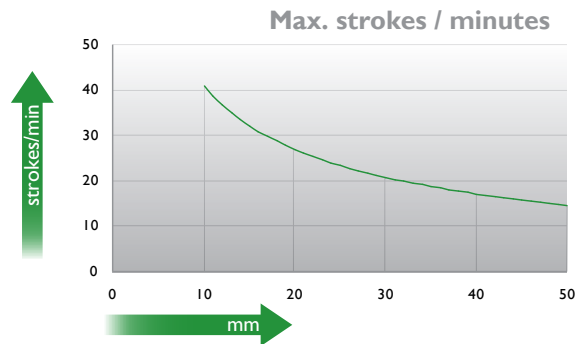
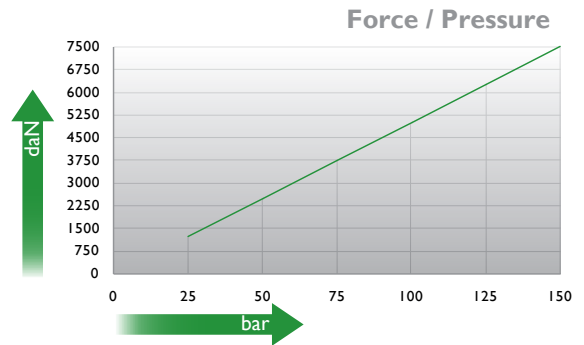
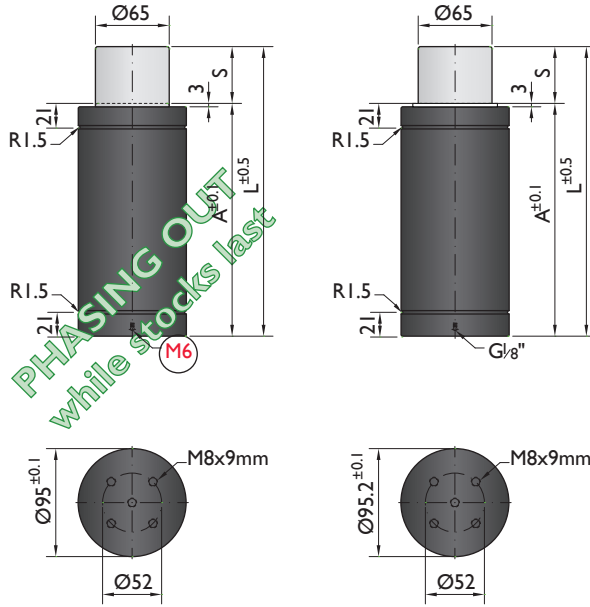





\*The new cylinder will be supplied when the stock runs out.

**NEW MODEL\***



Ordering example: 4 x TS-7500-50

Order No.	S <sup>(1)</sup> mm	L mm	A mm	F <sub>0</sub> <sup>(2)</sup> daN	F daN		kg
				(20°C, 150 bar)			
TS-7500-10	10	90	80	7500	11100	No	2.52
TS-7500-16	16	116	100		9900	No	3.03
TS-7500-25	25	145	120		10400	No	3.83
TS-7500-32	32	182	150		10400	No	3.90
TS-7500-40	40	210	170		10400	No	4.03
TS-7500-50	50	255	205		10400	No	4.14
TS-7500-65	65	279	214		11000	No	4.33

other strokes <sup>(1)</sup> under request

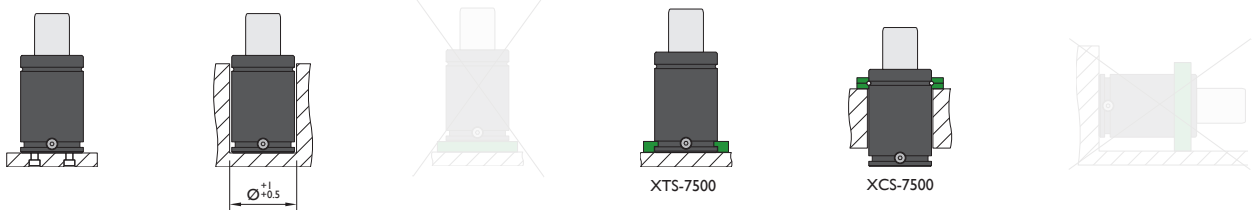
alternative forces <sup>(2)</sup> upon request

ESK <sup>(3)</sup> under request



Pressure medium	N <sub>2</sub>	Working temperature	0-80°C	Min. security stroke	10%
Max. Charging pressure	150 bar	Temperature related force increase	+0.34%/°C	Repair Kit	KIT TS-7500
Min. Charging pressure	25 bar	Max. working speed	0.5 m/s	Linkable	No

**Mounting possibilities**



## Flanges

